

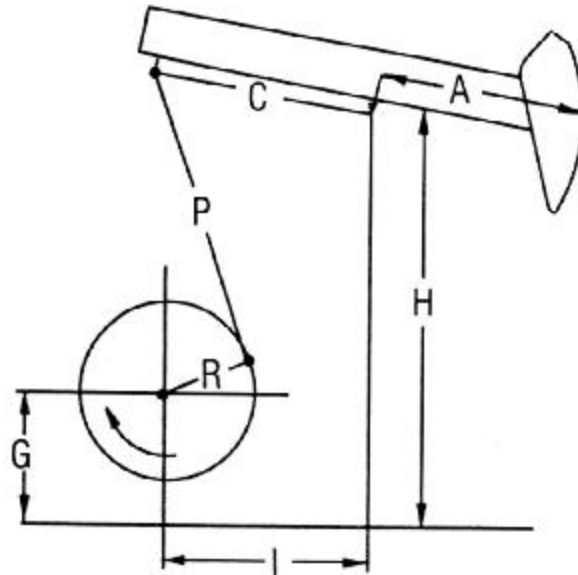


LS PUMPING UNIT API LINKAGE DIMENSIONS

UNIT MODEL	A	C	P	H	I	G	K	R1	R2	R3	SU	TORQUE FACTOR AT 90 DEGREES			series
												LONG	MIDDLE	SHORT	
912D-365-192	207	120	159.8	274	120	114.2	199.8	53.5	46.5	39.4	-915	90.136	78.976	67.323	y
912D-365-168	181	120	159.8	274	120	114.2	199.8	53.5	46.5	39.4	-74	78.815	69.056	58.867	y
912D-305-168	181	120	159.8	274	120	114.2	199.8	53.5	46.5	39.4	-74	78.815	69.056	58.867	y
912D-427-144	181	120	149.5	256	120	106.2	192	46.5	40	33.5	-220	68.894	59.649	50.191	y
912D-365-144	181	120	149.5	256	120	106.2	192	46.5	40	33.5	-220	68.894	59.649	50.191	y
640D-365-168	181	120	149.5	263	120	113.9	192	53.5	46.5	39.4	-465	78.531	68.894	58.784	y
640D-305-168	181	120	149.5	263	120	113.9	192	53.5	46.5	39.4	-465	78.531	68.894	58.784	y
640D-365-144	181	120	149.5	256	120	106.2	192	46.5	40	33.5	-220	68.894	59.649	50.191	y
640D-305-144	181	120	149.5	256	120	106.2	192	46.5	40	33.5	-405	68.894	59.649	50.191	y
640D-256-144	181	120	149.5	254	120	104.2	192	46.5	40	33.5	-525	68.894	59.649	50.191	y
640D-305-120	155	111	135	232	111	96.5	175	41.9	35.8	29.75	440	57.500	49.450	41.284	y
456D-305-168	181	120	149.5	263	120	113.9	192	53.5	46.5	39.4	-465	78.531	68.894	58.784	
456D-305-144	181	120	149.5	256	120	106.2	192	46.5	40	33.5	-405	68.894	59.649	50.191	
456D-256-144	181	120	149.5	254	120	104.2	192	46.5	40	33.5	-525	68.894	59.649	50.191	
456D-365-120	151	120	149.5	254	120	104.2	192	46.5	40	33.5	1010	57.475	49.762	41.872	
456D-305-120	155	111	135	232	111	96.5	175	41.9	35.8	29.75	440	57.500	49.450	41.284	
456D-256-120	155	111	135	232	111	96.5	175	41.9	35.8	29.75	-265	57.500	49.450	41.284	
456D-213-120	155	111	135	232	111	96.5	175	41.9	35.8	29.75	-185	57.500	49.450	41.284	
456D-256-100	129	111	135	232	111	96.5	175	41.9	35.8	29.75	1035	47.855	41.156	34.359	
320D-119-168	216	111	134	232	111	96.5	175	41.9	35.8	29.75	-920	80.079	68.880	57.512	
320D-256-144	185	111	134	232	111	96.5	175	41.9	35.8	29.75	-410	68.568	59.994	49.258	
320D-213-144	181	108	134	232	111	96.5	175	41.9	35.8	29.75	-890	69.469	59.681	49.775	
320D-119-144	186	111	134	232	111	96.5	175	41.9	35.8	29.75	-890	68.957	59.313	49.525	
320D-256-120	155	111	134	232	111	96.5	175	41.9	35.8	29.75	-265	57.464	49.428	41.270	
320D-213-120	155	111	135	232	111	96.5	175	41.9	35.8	29.75	-185	58.309	49.979	41.605	
320D-305-100	129	111	134	232	111	96.5	175	41.9	35.8	29.75	1030	47.825	41.137	34.348	
320D-256-100	129	111	135	232	111	96.5	175	41.9	35.8	29.75	1030	47.855	41.156	34.359	
320D-246-86	111	111	119	195	111	78.7	161	41.9	36.25	31.75	970	41.010	35.760	31.467	
320D-213-86	111	96	116	195	96	78.7	151	36.25	31.25	26.4	420	41.176	35.723	30.315	
320D-246-74	96	96	116	195	96	78.7	151	36.25	31.25	26.4	1100	35.612	30.895	26.218	
228D-185-144	163	111	151.5	252	111	100.7	188	47.25	41.14	35	-580	68.044	59.637	50.987	
228D-213-120	155	111	135	232	111	96.5	175	41.9	35.8	29.75	-185	57.500	49.450	41.284	
228D-213-100	129	96	116	197	96	80.25	151	36.25	30.5	24.8	440	47.853	40.551	33.134	
228D-173-100	129	96	116	195	96	78.7	151	36.25	31.25	26.4	96	47.854	41.516	35.231	y
228D-246-86	111	96	116	197	96	80.25	151	36.25	30.5	24.8	990	41.176	34.893	28.511	
228D-213-86	111	96	116	195	96	78.7	151	36.25	31.25	26.4	420	41.176	35.723	30.315	y
228D-200-74	96	96	116	195	96	78.7	151	36.25	31.25	26.4	1100	35.612	30.895	26.218	
228D-173-74	96	96	116	195	96	78.7	151	36.25	31.25	26.4	1100	35.612	30.895	26.218	
160D-119-120	155	96	116	195	96	78.7	151	36.25	31.25	26.4	-350	57.498	49.883	42.331	
160D-173-100	129	96	116	195	96	78.7	151	36.25	31.25	26.4	53	47.853	41.516	35.230	
160D-173-86	111	96	116	195	96	78.7	151	36.25	31.25	26.4	420	41.176	35.723	30.315	
160D-200-74	96	96	116	195	96	78.7	151	36.25	31.25	26.4	1100	35.612	30.895	26.218	
160D-173-74	96	84	96.5	165	84	68.8	128	31.5	27	22.5	440	35.314	30.485	25.534	
160D-143-74	96	84	96.5	165	84	68.8	128	31.5	27	22.5	440	35.314	30.485	25.534	
114D-119-100	129	96	116	195	96	78.7	151	36.25	31.25	26.4	75	47.853	41.516	35.230	
114D-119-86	111	84	96.5	165	84	68.8	128	31.69	26.77	21.85	110	40.831	35.249	29.524	
114D-143-74	96	84	96.5	165	84	68.8	128	31.5	27	22.5	440	35.314	30.485	25.534	
114D-173-64	84	84	96.5	165	84	68.8	128	31.5	27	22.5	475	30.899	26.675	22.342	
114D-143-54	84	84	96.5	165	84	68.8	128	27	22.5	18	475	26.675	22.342	17.935	
114D-143-86	110.8	96	116	195	96	78.7	151	36.25	31.25	26.4	750	41.102	35.658	30.260	



Pumping Unit API Linkage Geometry



Symbol Identification

- A: Distance from center of center-bearing to centerline of polished rod (inches).
- C: Distance from center of center-bearing to center of equalizer bearing (inches).
- P: Effective length of pitman arm as measured from center of equalizer bearing to center of crank-pin bearing (inches)
- R: Distance from center of crankshaft to center of crank-pin bearing (inches)
- H: Height from center of center-bearing to bottom of main base beams (inches)
- I: Horizontal distance from centerline of center-bearing to centerline of crankshaft (inches)
- G: Height from center of crankshaft to bottom of main base beams (inches)
- K: Distance from center of crankshaft to center of center-bearing (inches).