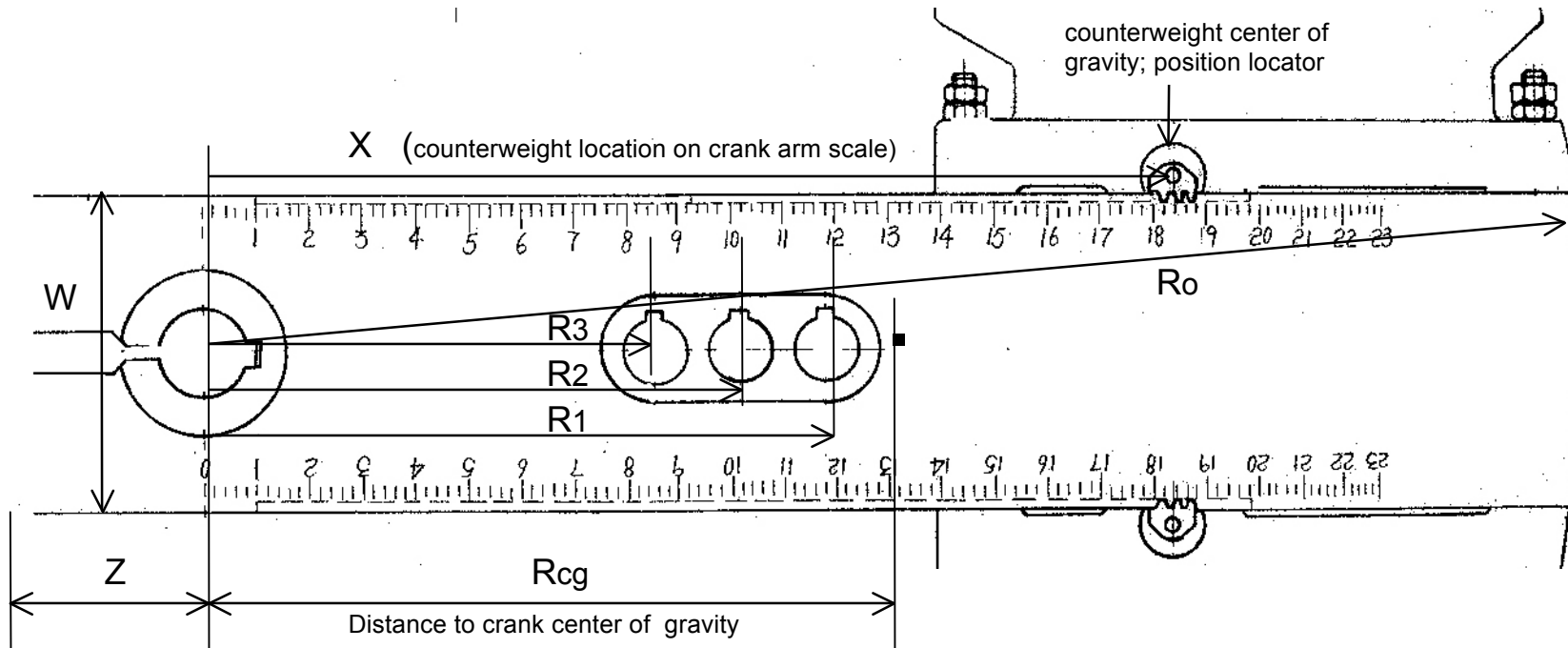




### Crank Arm Specifications



Crank Name	Crank Weight	Rcg	Ro	Crank Width, W	Z
1587	1,587	28.50	66.90	17.72	7.87
1940	1,940	33.50	76.88	17.72	7.87
3064	3,064	42.60	94.50	20.87	7.87
4045	4,045	46.50	102.40	23.62	7.87
4354	4,354	49.50	110.00	23.62	7.87