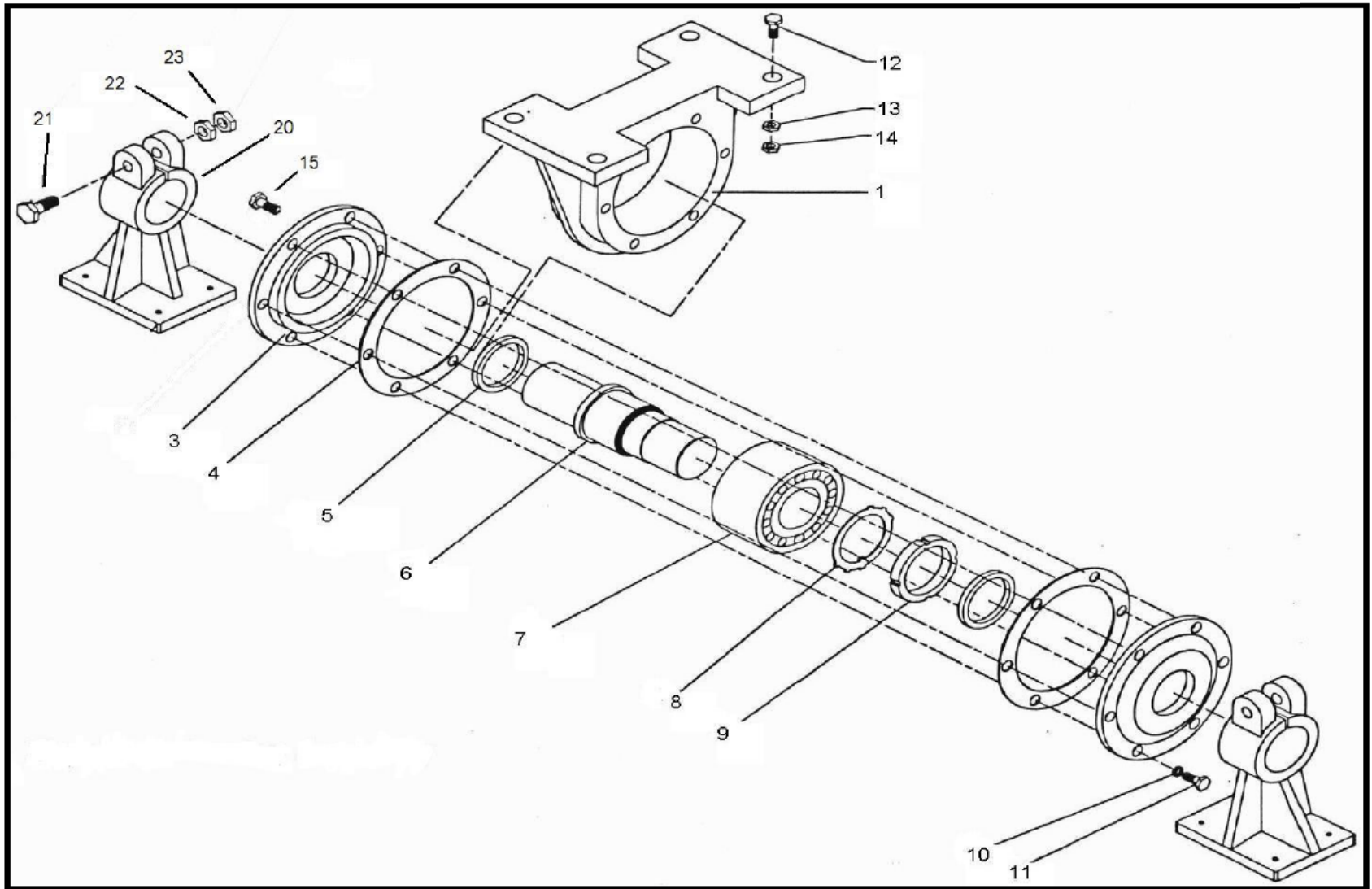


LS Petrochem Equipment Corp.



Part Name

EQUALIZER BEARING ASSEMBLY

Assy No.



LS Petrochem Equipment Corp.

Item No.	Part No.	Description	Qty req'd	Comment
		EQUALIZER BEARING ASSEMBLY		
1		Equalizer bearing housing	1	
2				
3		Equalizer bearing cover plate	2	
4		Equalizer bearing gasket	2	
5		Equalizer bearing oil seal	2	
6		Equalizer bearing pin shaft	1	
7		Equalizer bearing	1	
8		Equalizer bearing castle washer	1	
9		Equalizer bearing pin shaft castle nut	1	
10		Equalizer bearing cover plate lock washer	12	
11		Equalizer bearing cover plate bolt	12	
12		Equalizer bearing to walking beam bolt	4	
13		Equalizer bearing to walking beam nut	4	
14		Equalizer bearing to walking beam lock nut	4	
15		Equalizer bearing grease relief	2	
16				
17				
18				
19				
20		Equalizer bearing pin clamp	2	
21		Equalizer bearing pin clamp bolt	2	
22		Equalizer bearing pin clamp nut	2	
23		Equalizer bearing pin clamp lock nut	2	
24				
25				
26				
27				