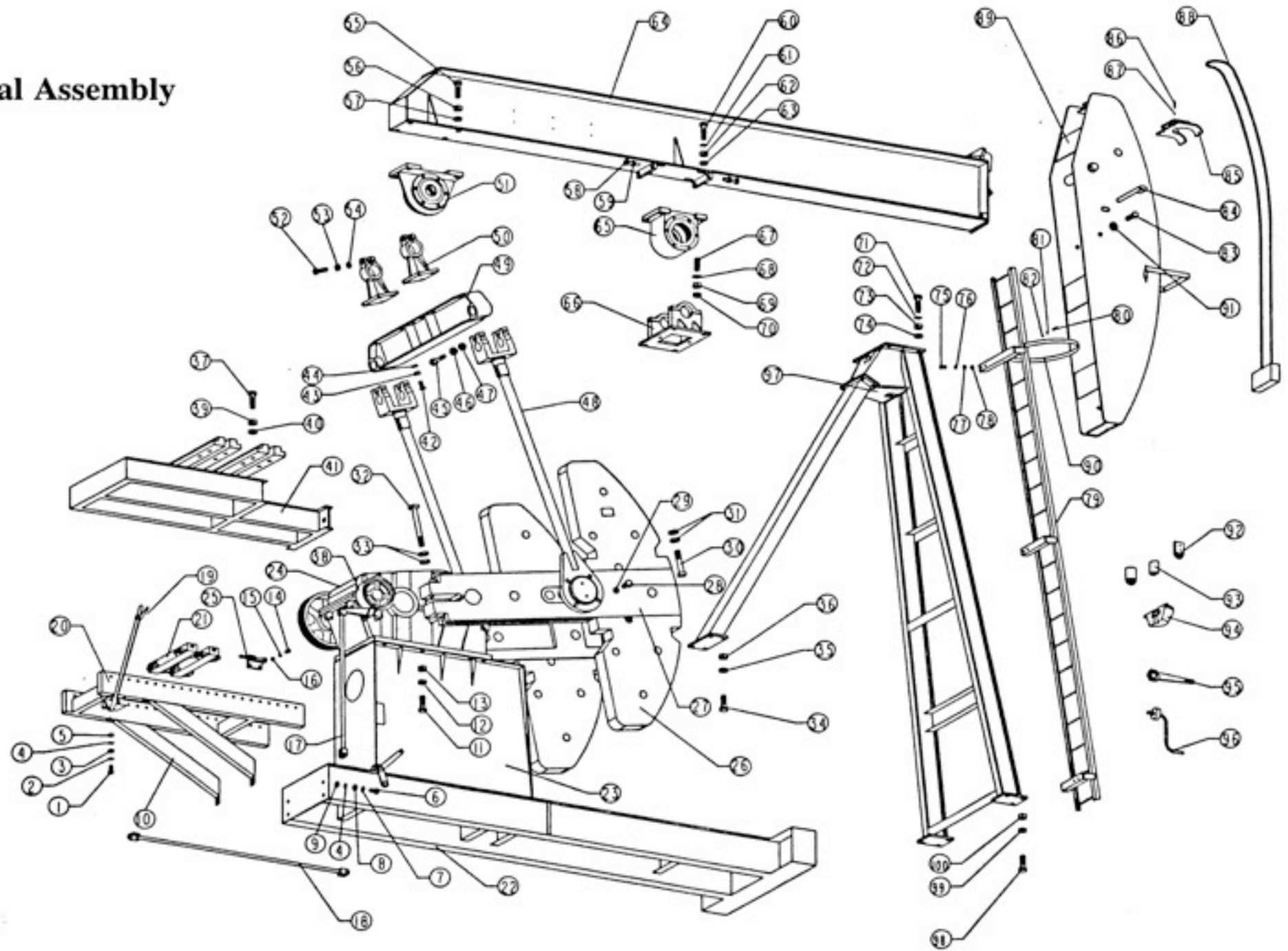




General Assembly



No.	Qty	Description
1	2	Brake Handle Mounting Bolt
2	2	Brake Handle Mounting Lock Washer
3	2	Brake Handle Mounting Nut
4	2	Brake Handle Mounting Washer
5	2	Brake Handle Mounting Nut
6	4	Hi Prime Support Bolt
7	4	Hi Prime Support Lock Washer
8	4	Hi Prime Support Nut
9	4	Hi Prime Support Nut
10	2	Hi Prime Support
11	8	Gearbox to Pedestal Bolt
12	8	Gearbox to Pedestal Nut
13	8	Gearbox to Pedestal Nut
14	2	Hi Prime Motor Rail Adjustor Mounting Bolt
15	2	Hi Prime Motor Rail Adjustor Mounting Washer
16	2	Hi Prime Motor Rail Adjustor Mounting Nut
17	1	Brake Pull Rod Vertical
18	1	Brake Pull Rod Horizontal
19	1	Brake Handle
20	1	Hi Prime Motor Base
21	2	Motor Rail
22	1	Main Base Sub Structure
23	1	Main Base Pedestal
24	1	Gear Reducer
25	2	Hi Prime Motor Rail Adjustor
26	4	Counterweight
27	2	Crank Arm
28	8	Pitman Banjo Bolt
29	8	Pitman Banjo Washer
30	8	Counterweight Bolt
31	16	Counterweight Nut
32	2	Crank Arm Bolt
33	4	Crank Arm Nut
34	4	Samson Post Rear Leg to Pedestal Bolt
35	4	Samson Post Rear Leg to Pedestal Nut
36	4	Samson Post Rear Leg to Pedestal Nut
37	16	Engine Rail to Engine Base Bolt
38	1	Brake Assembly
39	16	Engine Rail to Engine Base Nut
40	16	Engine Rail to Engine Base Nut
41	1	Engine Base
42	8	Equalizer Pin Clamp to Equalizer Beam Bolt
43	8	Equalizer Pin Clamp to Equalizer Beam Nut
44	8	Equalizer Pin Clamp to Equalizer Beam Nut
45	2	Upper Pitman Bolt
46	2	Upper Pitman Nut
47	2	Upper Pitman Nut
48	2	Pitman Arm
49	1	Equalizer Beam
50	2	Equalizer Pin Clamp
51	1	Equalizer Bearing Assembly
52	2	Equalizer Pin Clamp Bolt
53	2	Equalizer Pin Clamp Nut
54	2	Equalizer Pin Clamp Nut
55	4	Equalizer Bearing Assembly to Walking Beam Bolt
56	4	Equalizer Bearing Assembly to Walking Beam Nut
57	4	Equalizer Bearing Assembly to Walking Beam Nut
58	4	Center Bearing Adjusting Bolt
59	4	Center Bearing Adjusting Nut
60	4	Center Bearing to Walking Beam Bolt
61	4	Center Bearing to Walking Beam Washer
62	4	Center Bearing to Walking Beam Nut
63	4	Center Bearing to Walking Beam Nut
64	1	Walking Beam
65	1	Center Bearing Assembly
66	1	Trunion
67	4	Trunion to Samson Post Bolt
68	4	Trunion to Samson Post Washer
69	4	Trunion to Samson Post Nut
70	4	Trunion to Samson Post Nut
71	4	Samson Post Rear Leg Upper Bolt
72	4	Samson Post Rear Leg Upper Washer
73	4	Samson Post Rear Leg Upper Nut
74	4	Samson Post Rear Leg Upper Nut
75	6	Ladder to Samson Post Bolt
76	6	Ladder to Samson Post Washer
77	6	Ladder to Samson Post Nut
78	6	Ladder to Samson Post Nut
79	1	Ladder
80	4	Ladder Safety Ring Bolt
81	4	Ladder Safety Ring Washer
82	4	Ladder Safety Ring Nut
83	2	Horsehead Adjusting Bolt
84	1	Horsehead Safety Flag
85	1	Wireline Hanger Assembly
86	2	Wireline Hanger Assembly Keeper Bolt
87	2	Wireline Hanger Assembly Keeper Nut
88	1	Wireline
89	1	Horsehead
90	1	Ladder Safety Ring
91	2	Horsehead Adjusting Nut
92	2	Wireline End Clamp
93	0	Polished Rod Clamp
94	1	Carrier Bar
95	1	Wrist Pin Wrench
96	1	Counterweight Adjustor Crank
97	1	Samson Post
98	8	Samson Post to Main Base Bolt
99	8	Samson Post to Main Base Nut
100	8	Samson Post to Main Base Nut